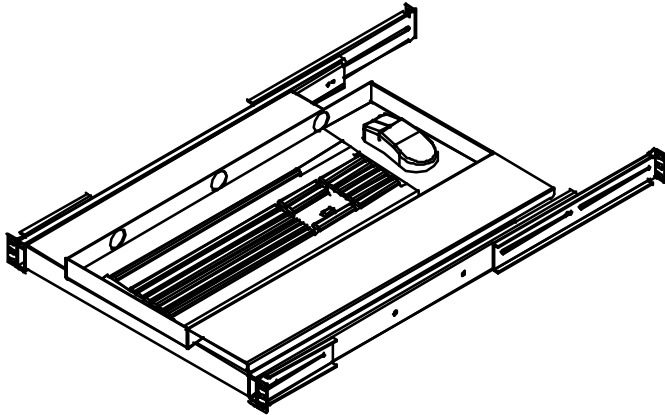
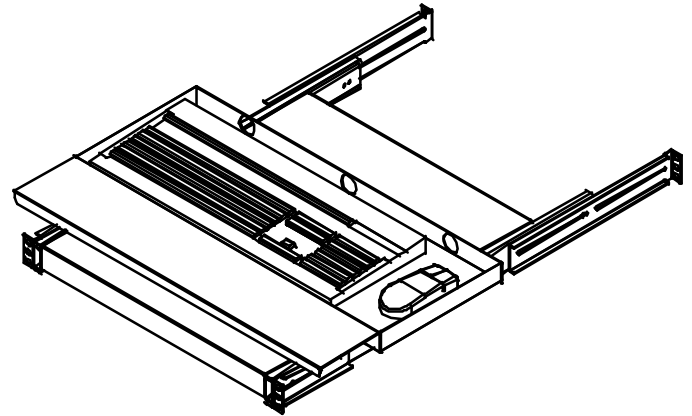


## KEYBOARD SHELVES



ROTATING KEYBOARD  
SHELF IN STORED  
POSITION



ROTATING KEYBOARD  
SHELF IN USABLE  
POSITION

PART NO. RK1924

### NOTES

- The shelf allows for the storage and use of any standard Windows keyboard and mouse.
- Finish is painted any standard Pepco color
- Shelf uses only 2 rack units.
- The shelf is supplied with 10-32 mounting hardware standard.
- Keyboard and mouse storage area is 9.00D x 22.50W
- Convenient mouse usage area in front of the keyboard.